



August 19, 2016

Mr. Tim Gehring
Director of Facilities Management
Worthington City School District
250 East Wilson Bridge Road
Worthington, Ohio 43085

Re: Lead in Water Testing at Slate Hill Elementary School
43085 Alta View Blvd, Worthington, OH 43085
Sample Date: June 28, 2016
L&A Project No: 16-0311

Dear Mr. Gehring,

Lawhon & Associates, Inc. (L&A) performed water sampling to document concentrations of lead in the potable water system. There is no federal law requiring testing of drinking water in schools, except for schools that have their own water supply and are thus regulated under the Safe Drinking Water Act (SDWA). This testing was performed as a proactive measure to ensure lead in drinking water concentrations remain at acceptable levels. L&A's conclusions and recommendations relevant to the sampling performed are presented in this document.

METHODOLOGY

L&A performed environmental sampling for lead in water at Slate Hill Elementary School on June 28, 2016. The sampling was conducted in accordance with the United States Environmental Protection Agency's (US EPA) guidance document "3Ts (Training, Testing, and Telling) for Reducing Lead in Drinking Water in Schools" (3Ts Guidance); however, a larger sample volume was collected due to laboratory requirements for Ohio EPA certified methods. A sampling plan was developed for the facility, which prioritized drinking water sources based on potential use and risk. Field activities included the collection of one (1) liter water samples from the water main (or first outlet off the water main), drinking fountains, kitchen sinks, and approximately 10% of classroom sinks or other potential drinking water sources. Both first draw and flush samples were collected at each location. Prior to sample collection, the potable water system was not used for a minimum of 8 hours. Samples were collected by Mr. Shawen Jenkins, Ohio Department of Health (ODH) certified Lead Risk Assessor (LRA) #LA9297. First draw samples were submitted to MASI Environmental Laboratories located in Plain City, Ohio for analysis using the EPA method SM3113B. MASI is certified by the Ohio EPA for lead in drinking water analysis. Flushed samples were held at the L&A office and submitted for analysis only if the first draw sample from the same fixture exceeded the US EPA Action Level.

REGULATORY ACTION LEVELS

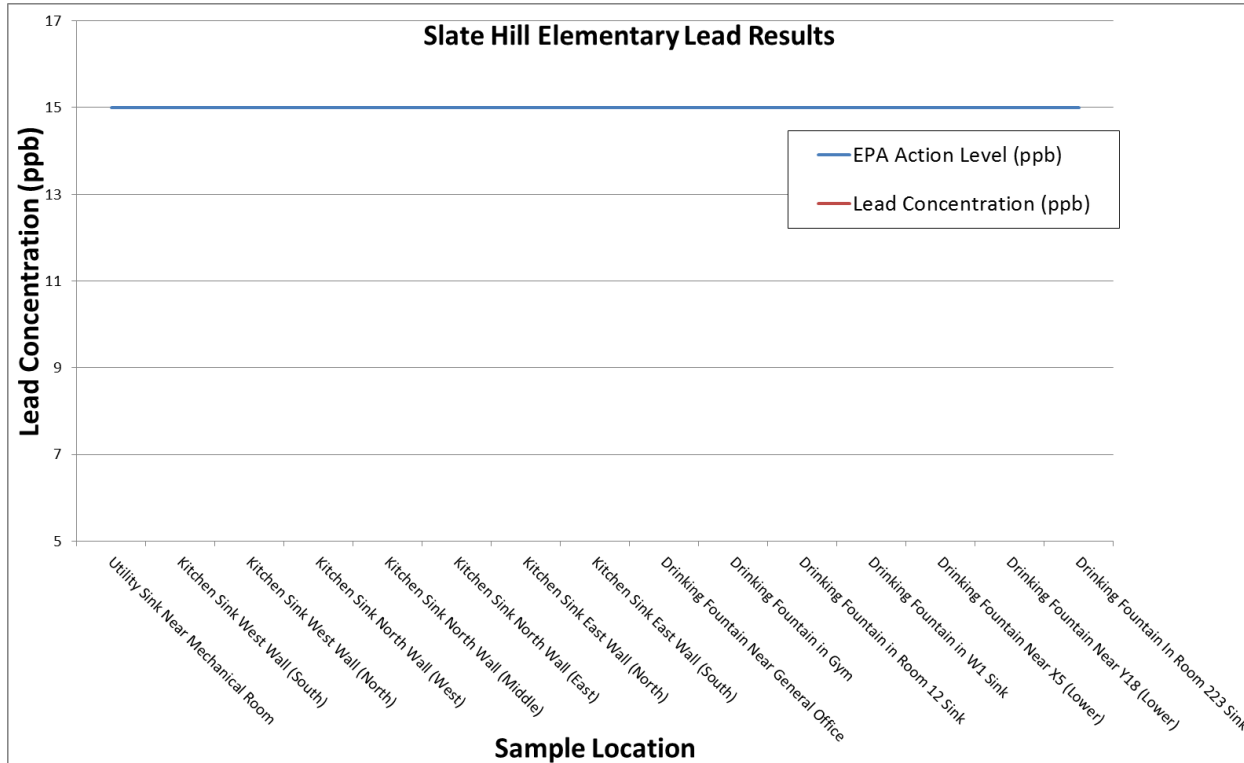
US EPA's 3T's Guidance recommends an action level of 20 parts per billion (ppb) for lead; however, Ohio Facilities Construction Commission (OFCC) Lead Plumbing Fixture Replacement Assistance Grants Program has set an action level of 15 ppb for lead which is consistent with

the action level for lead set by EPA’s Lead and Copper Rule, under the National Primary Drinking Water Regulations (NPDWR).

For the purposes of this assessment, L&A has utilized an action level of 15 ppb lead for comparison with the laboratory analytical results.

FINDINGS

L&A collected fifteen (15) first draw water samples at Slate Hill Elementary School. A diagram of the sampling locations is presented in Appendix A. As illustrated in the following figure, lead was not detected in any sampling locations.



A comprehensive data table is included as Appendix B. A copy of the laboratory report is included in Appendix C.

CONCLUSIONS

The results of L&A’s sampling indicate Lead in Water concentrations did not exceed the action level in any location. No further action is recommended at this time.

CLOSURE

L&A has prepared this report for your use in accordance with generally accepted inspection and testing practices. The information obtained in this report is site and time specific and pertains to this project only. This inspection evaluated the conditions that were readily accessible at the time of the investigation of the subject property and does not warrant against hidden conditions or future alteration of conditions at the site, as well as subsequent changes in regulations. This report should not be construed as a full Lead Risk Assessment.

This report was prepared for the exclusive use of the Worthington City School District. No other party may rely on this report unless expressly designated by the Client in writing. The use of the report is subject to the limitations and exceptions set forth in this report, as well as the terms

and conditions contained in the original contract documents. L&A will not distribute or publish this report without the Client's consent, except as required by law or court order.

Thank you for the opportunity to assist you in this important matter. If you have any questions concerning this report, please contact Shawen Jenkins or Tim Price at (614) 481-8600.

Sincerely,

A handwritten signature in blue ink, appearing to read "Shawen Jenkins".

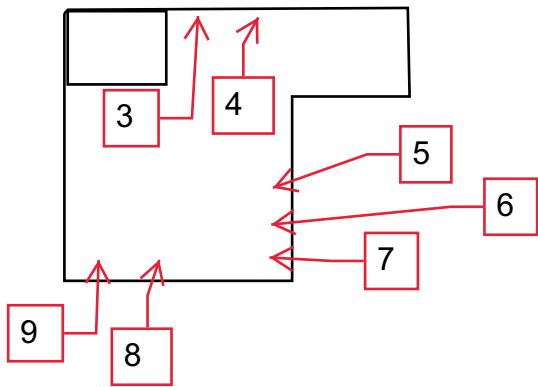
Shawen Jenkins, Lead Risk Assessor
Environmental Scientist

A handwritten signature in blue ink, appearing to read "Tim Price".

Tim Price
Senior Project Manager

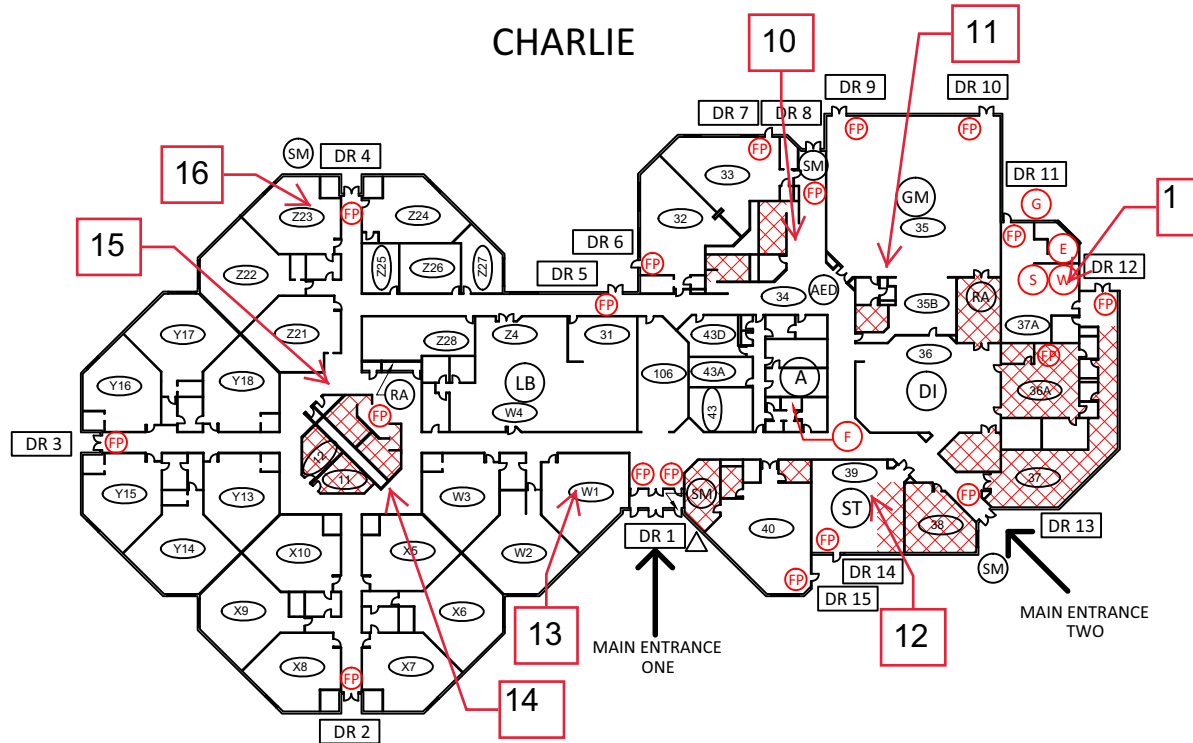
APPENDIX A
Sample Location Diagram

Kitchen



CHARLIE

BRAVO



DELTA

ALPHA

ENTRANCE DRIVE AT
ALTA VIEW BLVD.

CRITICAL		TORNADO EVAC. SITE
		FIRE PULL STATIONS
		LOCATION OF EXISTING AED
		ELECTRICAL SHUTOFF
		FIRE ALARM PANEL
		GAS SHUTOFF
		KNOX BOX
		SPRINKLER SHUTOFF
		WATER SHUTOFF
	NON-CRITICAL	
		AREA OF REFUGE
		CAMERA
		CORRIDOR
		ELEVATOR
		EXTERIOR DOORS
		FIRE EXTINGUISHER
		LOCATION OF BLUEPRINTS
		ROOF ACCESS POINT
		ROOM NUMBER
		SECURITY MONITORING AND ACCESS CONTROL
		SERVICE ENTRANCE
COMMON AREAS		MULTIPURPOSE ROOM
		LIBRARY
		DINING
		GYMNASIUM
		MEDIA
		STAGE
WORTHINGTON SCHOOLS SLATE HILL ELEMENTARY SCHOOL 7625 ALTA VIEW BLVD. WORTHINGTON FACILITY SAFETY PLAN OHIO FACILITIES CONSTRUCTION COMMISSION		
IRN:	110460	
BUILDING TELEPHONE NUMBER:	(614) 883-3200	
EMERGENCY TELEPHONE NUMBER:	(614) 560-4147	

APPENDIX B
Comprehensive Data Table

Table 1: Potable Water Sampling Results

Sample ID	Sampling Site	Sample Type	Meets Non-Use Period	Recalled Fixture	Analytical Results (ppb)
SH-1	Utility Sink Near Mechanical Room	First Draw	Yes	No	<5
SH-3	Kitchen Sink West Wall (South)	First Draw	Yes	No	<5
SH-4	Kitchen Sink West Wall (North)	First Draw	Yes	No	<5
SH-5	Kitchen Sink North Wall (West)	First Draw	Yes	No	<5
SH-6	Kitchen Sink North Wall (Middle)	First Draw	Yes	No	<5
SH-7	Kitchen Sink North Wall (East)	First Draw	Yes	No	<5
SH-8	Kitchen Sink East Wall (North)	First Draw	Yes	No	<5
SH-9	Kitchen Sink East Wall (South)	First Draw	Yes	No	<5
SH-10	Drinking Fountain Near General Office	First Draw	Yes	No	<5
SH-11	Drinking Fountain in Gym	First Draw	Yes	No	<5
SH-12	Drinking Fountain in Room 12 Sink	First Draw	Yes	No	<5
SH-13	Drinking Fountain in W1 Sink	First Draw	Yes	No	<5
SH-14	Drinking Fountain Near X5 (Lower)	First Draw	Yes	No	<5
SH-15	Drinking Fountain Near Y18 (Lower)	First Draw	Yes	No	<5
SH-16	Drinking Fountain In Room 223 Sink	First Draw	Yes	No	<5

1. Detection limit is 5.0 ppbl.
2. Bold indicates lead present above detection limits.
3. Highlighting indicates lead concentrations exceed the EPA Action Level.

APPENDIX C
Laboratory Analytical Reports

Certificate of Analysis - Fax Copy

MASI ENVIRONMENTAL SERVICES

P. O. Box 1440
 Dublin, Ohio 43017
 (614) 873-4654

Page: 1
 Date: 07/05/16

LAWHON & ASSOCIATES, INC.
 CHUCK WILSON
 1441 KING AVENUE

 COLUMBUS OH 43212

Client No: 0000005911
 AR Sheet No: 0415605-AR
 MASI Dublin Laboratory: 877
 MASI Cincinnati Laboratory: 4100
 PWS ID No:
 STU ID No:
 PO No:

Dear Client:

Along with your results listed below we would like to thank you for allowing MASI to assist you with your environmental testing requirements.

Account Name: LAWHON & ASSOCIATES, INC.	Private
Sampler Name: SHAWEN JENKINS	County: FRANKLIN
Sample Date: 06/28/16	Chlorinated:
Sample Time: 07:00	Repeat No:
Sample Matrix: POTABLE	C12 Total:
Sample Monitoring Point: SH 1	C12 Free:
Sample Tap: UTILITY SINK OUTSIDE MECH	C12 Combined:
Sample Type:	
Sample Address: RM 1ST OF MAIN SLATE HILL ELEMENTARY SCHOOL 7925	
Sample ID: ALTA VIEW BLVD WORTHINGTON OH 43085	

Test Requested	Lab Number	Method Number	Analyst Number	Date Analyzed
LEAD <5.0 ug/l	48799	3113B	4792	07/01/16

Public Drinking Water Analysis Results, as Required by OEPA,
 are Reported Following Final QA/QC

Certificate of Analysis - Fax Copy

MASI ENVIRONMENTAL SERVICES

P. O. Box 1440
 Dublin, Ohio 43017
 (614) 873-4654

Page: 1
 Date: 07/05/16

LAWHON & ASSOCIATES, INC.
 CHUCK WILSON
 1441 KING AVENUE

 COLUMBUS OH 43212

Client No: 0000005911
 AR Sheet No: 0415607-AR
 MASI Dublin Laboratory: 877
 MASI Cincinnati Laboratory: 4100
 PWS ID No:
 STU ID No:
 PO No:

Dear Client:

Along with your results listed below we would like to thank you for allowing MASI to assist you with your environmental testing requirements.

Account Name: LAWHON & ASSOCIATES, INC.	Private
Sampler Name: SHAWEN JENKINS	County: FRANKLIN
Sample Date: 06/28/16	Chlorinated:
Sample Time: 07:04	Repeat No:
Sample Matrix: POTABLE	C12 Total:
Sample Monitoring Point: SH 3	C12 Free:
Sample Tap: KITCH WEST WALL SOUTH	C12 Combined:
Sample Type:	
Sample Address: SINK SHE 7625 ALTA VIEW BLVD	
Sample ID:	

Test Requested	Lab Number	Method Number	Analyst Number	Date Analyzed
LEAD <5.0 ug/l	48798	3113B	4792	07/01/16

Public Drinking Water Analysis Results, as Required by OEPA,
 are Reported Following Final QA/QC

Certificate of Analysis - Fax Copy

MASI ENVIRONMENTAL SERVICES

P. O. Box 1440
 Dublin, Ohio 43017
 (614) 873-4654

Page: 1
 Date: 07/05/16

LAWHON & ASSOCIATES, INC.
 CHUCK WILSON
 1441 KING AVENUE

 COLUMBUS OH 43212

Client No: 0000005911
 AR Sheet No: 0415608-AR
 MASI Dublin Laboratory: 877
 MASI Cincinnati Laboratory: 4100
 PWS ID No:
 STU ID No:
 PO No:

Dear Client:

Along with your results listed below we would like to thank you for allowing MASI to assist you with your environmental testing requirements.

Account Name: LAWHON & ASSOCIATES, INC.	Private
Sampler Name: SHAWEN JENKINS	County: FRANKLIN
Sample Date: 06/28/16	Chlorinated:
Sample Time: 07:06	Repeat No:
Sample Matrix: POTABLE	C12 Total:
Sample Monitoring Point: SH 4	C12 Free:
Sample Tap: KITCH WEST WALL NORTH	C12 Combined:
Sample Type:	
Sample Address: HAND SINK SHE 7625 ALTA VIEW BLVD	
Sample ID:	

Test Requested	Lab Number	Method Number	Analyst Number	Date Analyzed
LEAD <5.0 ug/l	48797	3113B	4792	07/01/16

Public Drinking Water Analysis Results, as Required by OEPA,
 are Reported Following Final QA/QC

Certificate of Analysis - Fax Copy

MASI ENVIRONMENTAL SERVICES

P. O. Box 1440
 Dublin, Ohio 43017
 (614) 873-4654

Page: 1
 Date: 07/05/16

LAWHON & ASSOCIATES, INC.
 CHUCK WILSON
 1441 KING AVENUE

 COLUMBUS OH 43212

Client No: 0000005911
 AR Sheet No: 0415609-AR
 MASI Dublin Laboratory: 877
 MASI Cincinnati Laboratory: 4100
 PWS ID No:
 STU ID No:
 PO No:

Dear Client:

Along with your results listed below we would like to thank you for allowing MASI to assist you with your environmental testing requirements.

Account Name: LAWHON & ASSOCIATES, INC.	Private
Sampler Name: SHAWEN JENKINS	County: FRANKLIN
Sample Date: 06/28/16	Chlorinated:
Sample Time: 07:08	Repeat No:
Sample Matrix: POTABLE	C12 Total:
Sample Monitoring Point: SH 5	C12 Free:
Sample Tap: KITCH NORTH WALL WEST	C12 Combined:
Sample Type:	
Sample Address: SINK SHE 7625 ALTA VIEW BLVD	
Sample ID:	

Test Requested	Lab Number	Method Number	Analyst Number	Date Analyzed
LEAD <5.0 ug/l	48796	3113B	4792	07/01/16

Public Drinking Water Analysis Results, as Required by OEPA,
 are Reported Following Final QA/QC

Certificate of Analysis - Fax Copy

MASI ENVIRONMENTAL SERVICES

P. O. Box 1440
 Dublin, Ohio 43017
 (614) 873-4654

Page: 1
 Date: 07/05/16

LAWHON & ASSOCIATES, INC.
 CHUCK WILSON
 1441 KING AVENUE

 COLUMBUS OH 43212

Client No: 0000005911
 AR Sheet No: 0418650-AR
 MASI Dublin Laboratory: 877
 MASI Cincinnati Laboratory: 4100
 PWS ID No:
 STU ID No:
 PO No:

Dear Client:

Along with your results listed below we would like to thank you for allowing MASI to assist you with your environmental testing requirements.

Account Name: LAWHON & ASSOCIATES, INC.	Private
Sampler Name: SHAWEN JENKINS	County: FRANKLIN
Sample Date: 06/28/16	Chlorinated:
Sample Time: 07:10	Repeat No:
Sample Matrix: POTABLE	C12 Total:
Sample Monitoring Point: SH 6	C12 Free:
Sample Tap: KITCH NORTH WALL MIDDLE	C12 Combined:
Sample Type:	
Sample Address: SINK SHE 7625 ALTA VIEW BLVD	
Sample ID:	

Test Requested	Lab Number	Method Number	Analyst Number	Date Analyzed
LEAD <5.0 ug/l	48795	3113B	4792	07/01/16

Public Drinking Water Analysis Results, as Required by OEPA,
 are Reported Following Final QA/QC

Certificate of Analysis - Fax Copy

MASI ENVIRONMENTAL SERVICES

P. O. Box 1440
 Dublin, Ohio 43017
 (614) 873-4654

Page: 1
 Date: 07/05/16

LAWHON & ASSOCIATES, INC.
 CHUCK WILSON
 1441 KING AVENUE

 COLUMBUS OH 43212

Client No: 0000005911
 AR Sheet No: 0418651-AR
 MASI Dublin Laboratory: 877
 MASI Cincinnati Laboratory: 4100
 PWS ID No:
 STU ID No:
 PO No:

Dear Client:

Along with your results listed below we would like to thank you for allowing MASI to assist you with your environmental testing requirements.

Account Name: LAWHON & ASSOCIATES, INC.	Private
Sampler Name: SHAWEN JENKINS	County: FRANKLIN
Sample Date: 06/28/16	Chlorinated:
Sample Time: 07:12	Repeat No:
Sample Matrix: POTABLE	C12 Total:
Sample Monitoring Point: SH 7	C12 Free:
Sample Tap: KITCH NORTH WALL EAST	C12 Combined:
Sample Type:	
Sample Address: SPRAYER SHE 7625 ALTA VIEW BLVD	
Sample ID:	

Test Requested	Lab Number	Method Number	Analyst Number	Date Analyzed
LEAD <5.0 ug/l	48803	3113B	4792	07/01/16

Public Drinking Water Analysis Results, as Required by OEPA,
 are Reported Following Final QA/QC

Certificate of Analysis - Fax Copy

MASI ENVIRONMENTAL SERVICES

P. O. Box 1440
 Dublin, Ohio 43017
 (614) 873-4654

Page: 1
 Date: 07/05/16

LAWHON & ASSOCIATES, INC.
 CHUCK WILSON
 1441 KING AVENUE

 COLUMBUS OH 43212

Client No: 0000005911
 AR Sheet No: 0418652-AR
 MASI Dublin Laboratory: 877
 MASI Cincinnati Laboratory: 4100
 PWS ID No:
 STU ID No:
 PO No:

Dear Client:

Along with your results listed below we would like to thank you for allowing MASI to assist you with your environmental testing requirements.

Account Name: LAWHON & ASSOCIATES, INC.	Private
Sampler Name: SHAWEN JENKINS	County: FRANKLIN
Sample Date: 06/28/16	Chlorinated:
Sample Time: 07:14	Repeat No:
Sample Matrix: POTABLE	C12 Total:
Sample Monitoring Point: SH 8	C12 Free:
Sample Tap: KITCH EAST WALL NORTH	C12 Combined:
Sample Type:	
Sample Address: SINK SHE 7625 ALTA VIEW BLVD	
Sample ID:	

Test Requested	Lab Number	Method Number	Analyst Number	Date Analyzed
LEAD <5.0 ug/l	48802	3113B	4792	07/01/16

Public Drinking Water Analysis Results, as Required by OEPA,
 are Reported Following Final QA/QC

Certificate of Analysis - Fax Copy

MASI ENVIRONMENTAL SERVICES

P. O. Box 1440
 Dublin, Ohio 43017
 (614) 873-4654

Page: 1
 Date: 07/05/16

LAWHON & ASSOCIATES, INC.
 CHUCK WILSON
 1441 KING AVENUE

 COLUMBUS OH 43212

Client No: 0000005911
 AR Sheet No: 0418653-AR
 MASI Dublin Laboratory: 877
 MASI Cincinnati Laboratory: 4100
 PWS ID No:
 STU ID No:
 PO No:

Dear Client:

Along with your results listed below we would like to thank you for allowing MASI to assist you with your environmental testing requirements.

Account Name: LAWHON & ASSOCIATES, INC.	Private
Sampler Name: SHAWEN JENKINS	County: FRANKLIN
Sample Date: 06/28/16	Chlorinated:
Sample Time: 07:16	Repeat No:
Sample Matrix: POTABLE	C12 Total:
Sample Monitoring Point: SH 9	C12 Free:
Sample Tap: KITCH EAST WALL SOUTH	C12 Combined:
Sample Type:	
Sample Address: SPRAYER SHE 7625 ALTA VIEW BLVD	
Sample ID:	

Test Requested	Lab Number	Method Number	Analyst Number	Date Analyzed
LEAD <5.0 ug/l	48801	3113B	4792	07/01/16

Public Drinking Water Analysis Results, as Required by OEPA,
 are Reported Following Final QA/QC

Certificate of Analysis - Fax Copy

MASI ENVIRONMENTAL SERVICES

P. O. Box 1440
 Dublin, Ohio 43017
 (614) 873-4654

Page: 1
 Date: 07/05/16

LAWHON & ASSOCIATES, INC.
 CHUCK WILSON
 1441 KING AVENUE

 COLUMBUS OH 43212

Client No: 0000005911
 AR Sheet No: 0418654-AR
 MASI Dublin Laboratory: 877
 MASI Cincinnati Laboratory: 4100
 PWS ID No:
 STU ID No:
 PO No:

Dear Client:

Along with your results listed below we would like to thank you for allowing MASI to assist you with your environmental testing requirements.

Account Name: LAWHON & ASSOCIATES, INC.	Private
Sampler Name: SHAWEN JENKINS	County: FRANKLIN
Sample Date: 06/28/16	Chlorinated:
Sample Time: 07:18	Repeat No:
Sample Matrix: POTABLE	C12 Total:
Sample Monitoring Point: SH 10	C12 Free:
Sample Tap: DF NEAR GENERAL OFFICE	C12 Combined:
Sample Type:	
Sample Address: LOWEST SHE 7625 ALTA VIEW BLVD	
Sample ID:	

Test Requested	Lab Number	Method Number	Analyst Number	Date Analyzed
LEAD <5.0 ug/l	48800	3113B	4792	07/01/16

Public Drinking Water Analysis Results, as Required by OEPA,
 are Reported Following Final QA/QC

Certificate of Analysis - Fax Copy

MASI ENVIRONMENTAL SERVICES

P. O. Box 1440
 Dublin, Ohio 43017
 (614) 873-4654

Page: 1
 Date: 07/05/16

LAWHON & ASSOCIATES, INC.
 CHUCK WILSON
 1441 KING AVENUE

 COLUMBUS OH 43212

Client No: 0000005911
 AR Sheet No: 0418655-AR
 MASI Dublin Laboratory: 877
 MASI Cincinnati Laboratory: 4100
 PWS ID No:
 STU ID No:
 PO No:

Dear Client:

Along with your results listed below we would like to thank you for allowing MASI to assist you with your environmental testing requirements.

Account Name: LAWHON & ASSOCIATES, INC.
 Sampler Name: SHAWEN JENKINS
 Sample Date: 06/28/16
 Sample Time: 07:20
 Sample Matrix: POTABLE
 Sample Monitoring Point: SH 11
 Sample Tap: GYM DF
 Sample Type:
 Sample Address: SHE 7625 ALTA VIEW BLVD
 Sample ID:

Private
 County: FRANKLIN
 Chlorinated:
 Repeat No:
 C12 Total:
 C12 Free:
 C12 Combined:

Test Requested	Lab Number	Method Number	Analyst Number	Date Analyzed
LEAD <5.0 ug/l	48804	3113B	4792	07/01/16

Public Drinking Water Analysis Results, as Required by OEPA,
 are Reported Following Final QA/QC

Certificate of Analysis - Fax Copy

MASI ENVIRONMENTAL SERVICES

P. O. Box 1440
 Dublin, Ohio 43017
 (614) 873-4654

Page: 1
 Date: 07/05/16

LAWHON & ASSOCIATES, INC.
 CHUCK WILSON
 1441 KING AVENUE

 COLUMBUS OH 43212

Client No: 0000005911
 AR Sheet No: 0418656-AR
 MASI Dublin Laboratory: 877
 MASI Cincinnati Laboratory: 4100
 PWS ID No:
 STU ID No:
 PO No:

Dear Client:

Along with your results listed below we would like to thank you for allowing MASI to assist you with your environmental testing requirements.

Account Name: LAWHON & ASSOCIATES, INC.
 Sampler Name: SHAWEN JENKINS
 Sample Date: 06/28/16
 Sample Time: 07:22
 Sample Matrix: POTABLE
 Sample Monitoring Point: SH 12
 Sample Tap: RM 39 SINK DF
 Sample Type:
 Sample Address: SHE 7625 ALTA VIEW BLVD
 Sample ID:

Private
 County: FRANKLIN
 Chlorinated:
 Repeat No:
 C12 Total:
 C12 Free:
 C12 Combined:

Test Requested	Lab Number	Method Number	Analyst Number	Date Analyzed
LEAD <5.0 ug/l	48832	3113B	4792	07/01/16

Public Drinking Water Analysis Results, as Required by OEPA,
 are Reported Following Final QA/QC

Certificate of Analysis - Fax Copy

MASI ENVIRONMENTAL SERVICES

P. O. Box 1440
 Dublin, Ohio 43017
 (614) 873-4654

Page: 1
 Date: 07/05/16

LAWHON & ASSOCIATES, INC.
 CHUCK WILSON
 1441 KING AVENUE

 COLUMBUS OH 43212

Client No: 0000005911
 AR Sheet No: 0418657-AR
 MASI Dublin Laboratory: 877
 MASI Cincinnati Laboratory: 4100
 PWS ID No:
 STU ID No:
 PO No:

Dear Client:

Along with your results listed below we would like to thank you for allowing MASI to assist you with your environmental testing requirements.

Account Name: LAWHON & ASSOCIATES, INC.
 Sampler Name: SHAWEN JENKINS
 Sample Date: 06/28/16
 Sample Time: 07:24
 Sample Matrix: POTABLE
 Sample Monitoring Point:
 Sample Tap: W1 SINK DF SH 13
 Sample Type:
 Sample Address: S HE E 7625 ALTA VIEW BLVD
 Sample ID:

Private
 County: FRANKLIN
 Chlorinated:
 Repeat No:
 C12 Total:
 C12 Free:
 C12 Combined:

Test Requested	Lab Number	Method Number	Analyst Number	Date Analyzed
LEAD <5.0 ug/l	49255	3113B	4792	07/01/16

Public Drinking Water Analysis Results, as Required by OEPA,
 are Reported Following Final QA/QC

Certificate of Analysis - Fax Copy

MASI ENVIRONMENTAL SERVICES

P. O. Box 1440
 Dublin, Ohio 43017
 (614) 873-4654

Page: 1
 Date: 07/05/16

LAWHON & ASSOCIATES, INC.
 CHUCK WILSON
 1441 KING AVENUE

 COLUMBUS OH 43212

Client No: 0000005911
 AR Sheet No: 0418658-AR
 MASI Dublin Laboratory: 877
 MASI Cincinnati Laboratory: 4100
 PWS ID No:
 STU ID No:
 PO No:

Dear Client:

Along with your results listed below we would like to thank you for allowing MASI to assist you with your environmental testing requirements.

Account Name: LAWHON & ASSOCIATES, INC.	Private
Sampler Name: SHAWEN JENKINS	County: FRANKLIN
Sample Date: 06/28/16	Chlorinated:
Sample Time: 07:26	Repeat No:
Sample Matrix: POTABLE	C12 Total:
Sample Monitoring Point:	C12 Free:
Sample Tap: DF NEAR X5 LOWER OF 2	C12 Combined:
Sample Type:	
Sample Address: SHE 7625 ALTA VIEW BLVD SH14	
Sample ID:	

Test Requested	Lab Number	Method Number	Analyst Number	Date Analyzed
LEAD <5.0 ug/l	49256	3113B	4792	07/01/16

Public Drinking Water Analysis Results, as Required by OEPA,
 are Reported Following Final QA/QC

Certificate of Analysis - Fax Copy

MASI ENVIRONMENTAL SERVICES

P. O. Box 1440
 Dublin, Ohio 43017
 (614) 873-4654

Page: 1
 Date: 07/05/16

LAWHON & ASSOCIATES, INC.
 CHUCK WILSON
 1441 KING AVENUE

 COLUMBUS OH 43212

Client No: 0000005911
 AR Sheet No: 4186559-AR
 MASI Dublin Laboratory: 877
 MASI Cincinnati Laboratory: 4100
 PWS ID No:
 STU ID No:
 PO No:

Dear Client:

Along with your results listed below we would like to thank you for allowing MASI to assist you with your environmental testing requirements.

Account Name: LAWHON & ASSOCIATES, INC.
 Sampler Name: SHAWEN JENKINS
 Sample Date: 06/28/16
 Sample Time: 07:28
 Sample Matrix: POTABLE
 Sample Monitoring Point:
 Sample Tap: DF NEAR Y18 LOWER SH15
 Sample Type:
 Sample Address: SHE 7625 ALTA VIEW BLVD
 Sample ID:

Private
 County: FRANKLIN
 Chlorinated:
 Repeat No:
 C12 Total:
 C12 Free:
 C12 Combined:

Test Requested	Lab Number	Method Number	Analyst Number	Date Analyzed
LEAD <5.0 ug/l	49257	3113B	4792	07/01/16

Public Drinking Water Analysis Results, as Required by OEPA,
 are Reported Following Final QA/QC

Certificate of Analysis - Fax Copy

MASI ENVIRONMENTAL SERVICES

P. O. Box 1440
 Dublin, Ohio 43017
 (614) 873-4654

Page: 1
 Date: 07/05/16

LAWHON & ASSOCIATES, INC.
 CHUCK WILSON
 1441 KING AVENUE

 COLUMBUS OH 43212

Client No: 0000005911
 AR Sheet No: 0418660-AR
 MASI Dublin Laboratory: 877
 MASI Cincinnati Laboratory: 4100
 PWS ID No:
 STU ID No:
 PO No:

Dear Client:

Along with your results listed below we would like to thank you for allowing MASI to assist you with your environmental testing requirements.

Account Name: LAWHON & ASSOCIATES, INC.
 Sampler Name: SHAWEN JENKINS
 Sample Date: 06/28/16
 Sample Time: 07:30
 Sample Matrix: POTABLE
 Sample Monitoring Point:
 Sample Tap: RM 223 SINK DF
 Sample Type:
 Sample Address: SHE 7625 ALTA BLVD
 Sample ID:

Private
 County: FRANKLIN
 Chlorinated:
 Repeat No:
 C12 Total:
 C12 Free:
 C12 Combined:

Test Requested	Lab Number	Method Number	Analyst Number	Date Analyzed
LEAD <5.0 ug/l	49258	3113B	4792	07/01/16

Public Drinking Water Analysis Results, as Required by OEPA,
 are Reported Following Final QA/QC